

**GROVE**

ALLRADLENKUNG  
ALL-WHEEL STEERING

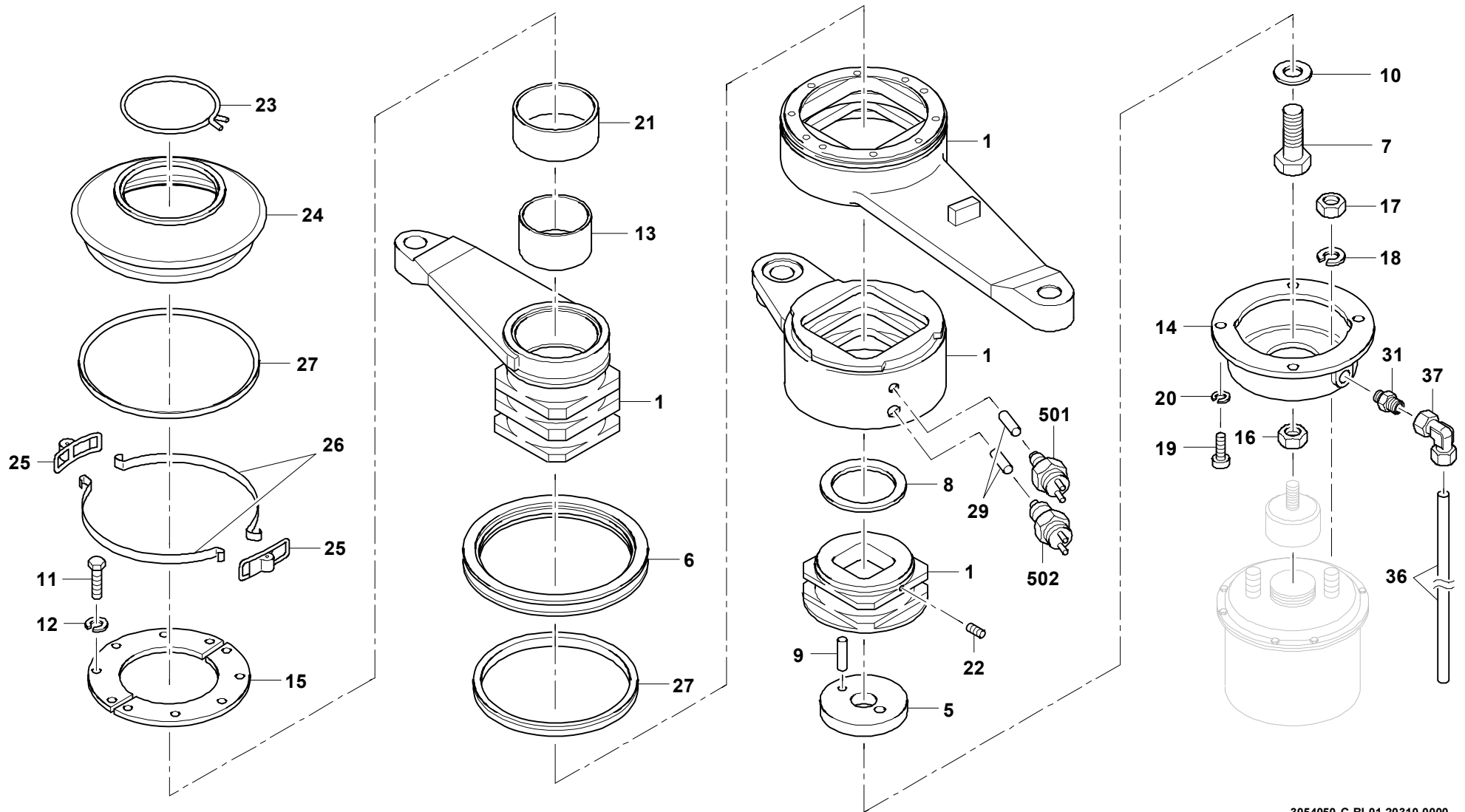
BILDTADEL  
PICTORIAL DISPLAY

203.10

**3054050-ETL C**

1/1

**GMK 5130**  
**BE 505**  
**G 072**



3054050-C-BL01-20310-0000